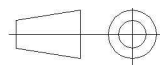
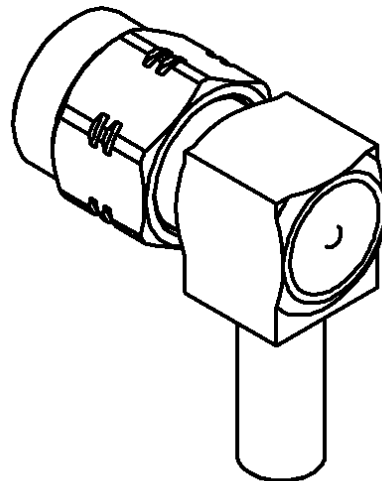
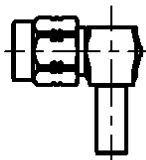
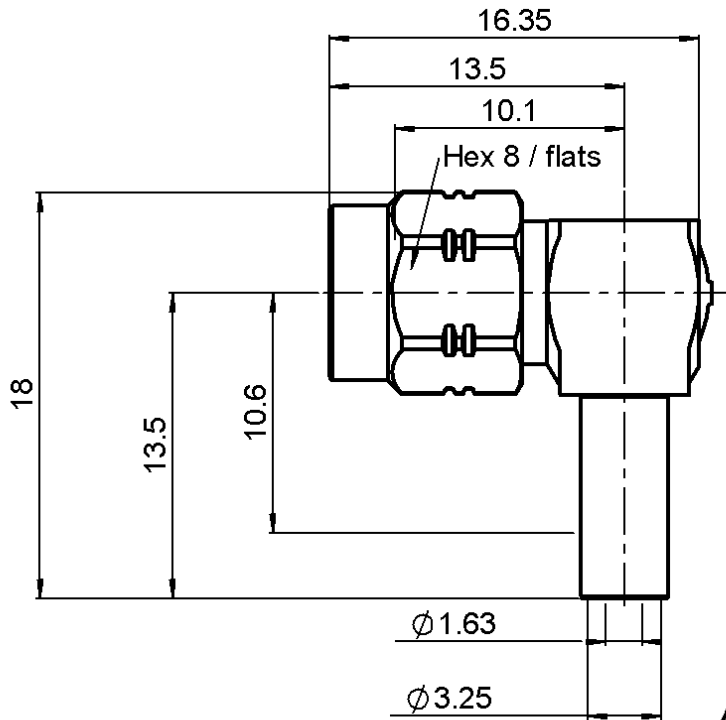


**RP SMA RIGHT ANGLE PLUG CRIMP TYPE**

**R300.124.183**

**CABLE 2.6/50S**

Series :  
**REV.POLARITY**



All dimensions are in mm.

| COMPONENTS     | MATERIALS        | PLATINGS (µm)            |
|----------------|------------------|--------------------------|
| BODY           | BRASS            | GOLD 0.2 OVER NICKEL 2   |
| CENTER CONTACT | BERYLLIUM COPPER | GOLD 1.3 OVER COPPER 2.5 |
| OUTER CONTACT  | -                | -                        |
| INSULATOR      | PTFE             | -                        |
| GASKET         | SILICONE RUBBER  | -                        |
| OTHERS PARTS   | BRASS            | GOLD 0.2 OVER NICKEL 2   |
| -              | -                | -                        |
| -              | -                | -                        |

Issue : 0428 A

In the effort to improve our products, we reserve the right to make changes judged to be necessary.



**RADIALL**®

**RP SMA RIGHT ANGLE PLUG CRIMP TYPE**

**R300.124.183**

**CABLE 2.6/50S**

Series :  
**REV.POLARITY**

**PACKAGING**

| Standard   | Unit              | Other             |
|------------|-------------------|-------------------|
| <b>100</b> | <b>'W' option</b> | <b>Contact us</b> |

**SPECIFICATION**

**ELECTRICAL CHARACTERISTICS**

|                                 |                     |                          |
|---------------------------------|---------------------|--------------------------|
| Impedance                       | <b>50</b>           | $\Omega$                 |
| Frequency                       | <b>0-12.4</b>       | GHz                      |
| VSWR                            | <b>1.15 + 0.030</b> | x F(GHz) Maxi            |
| Insertion loss                  | <b>.04</b>          | $\sqrt{F}$ (GHz) dB Maxi |
| RF leakage                      | <b>- ( NA</b>       | - F(GHz)) dB Maxi        |
| Voltage rating                  | <b>250</b>          | Veff Maxi                |
| Dielectric withstanding voltage | <b>750</b>          | Veff mini                |
| Insulation resistance           | <b>5000</b>         | M $\Omega$ mini          |

**CABLE ASSEMBLY**

| Stripping | a    | b    | c    | d    | e    | f    |
|-----------|------|------|------|------|------|------|
| mm        | 2.00 | 6.50 | 12.0 | 0.00 | 10.0 | 0.00 |

Assembly instruction : **Crimp 05**

Recommended cable(s)  
KX 22A  
RG 316  
RG 188

Characteristics indicated on this data sheet are those that can be achieved with the highest performance cable. Intrinsic limitations of the cable may diminish the performance of the assembly

Cable retention  
- pull off **90** N mini  
- torque **NA** N.cm

**MECHANICAL CHARACTERISTICS**

|                            |           |           |
|----------------------------|-----------|-----------|
| Center contact retention   |           |           |
| Axial force – Mating end   | <b>27</b> | N mini    |
| Axial force – Opposite end | <b>27</b> | N mini    |
| Torque                     | <b>NA</b> | N.cm mini |

**TOOLING**

| Part Number  | Description   | Hexagon |
|--------------|---------------|---------|
| R282.211.000 | CRIMPING TOOL | 3.25    |
| R282.235.003 | CRIMPING DIES |         |
| R282.293.000 | CRIMPING TOOL |         |

|                    |              |      |
|--------------------|--------------|------|
| Recommended torque |              |      |
| Mating             | <b>60</b>    | N.cm |
| Panel nut          | <b>NA</b>    | N.cm |
| Clamp nut          | <b>NA</b>    | N.cm |
| A/F clamp nut      | <b>0.000</b> | mm   |

|             |              |             |
|-------------|--------------|-------------|
| Mating life | <b>500</b>   | Cycles mini |
| Weight      | <b>4.899</b> | g           |

**OTHERS CHARACTERISTICS**

**ENVIRONMENTAL**

|                       |                 |              |
|-----------------------|-----------------|--------------|
| Operating temperature | <b>-65/+165</b> | $^{\circ}$ C |
| Hermetic seal         | <b>NA</b>       | Atm.cm3/s    |
| Panel leakage         | <b>NA</b>       |              |

Issue : 0428 A

In the effort to improve our products, we reserve the right to make changes judged to be necessary.

